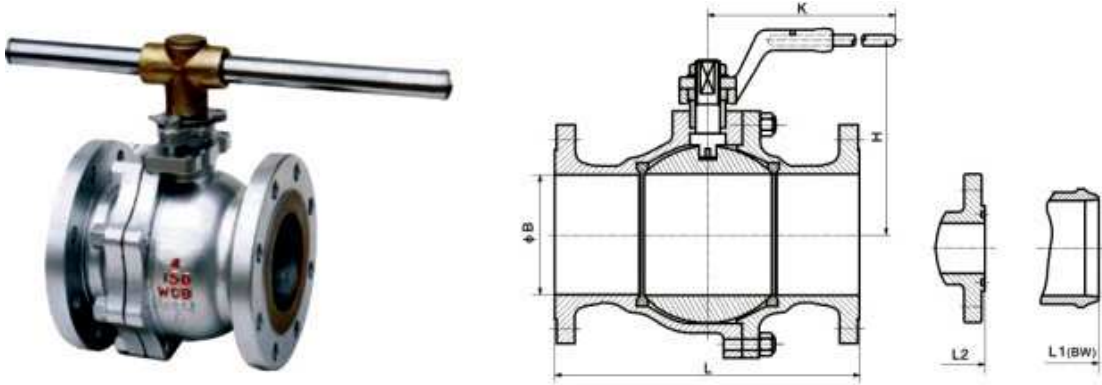




**CLASS 150~300 FLOATING BALL VALVE**



Features:

## **CLASS 150~300 FLOATING BALL VALVE**

Bolted bonnet, Two-piece Body, Floating Ball

Full or Reduced bore, Blowout Proof Stem

Fire safe and Anti static

Stainless steel ball

ASTM A216 WCB, A351 CF8, A351 CF8M,

A351 CF3, A351 CF3M, A351 CN7M

## **Standards compliance**

Design and Manufacture: API 608, API 6D, BS5351

Face to face(end to end): ANSI B16.10, API 6D

Flanged connection: 2"~24" to ANSI B16.5

Fire-safe: API 607, API 6FA

Butt welded end: ANSI B16.25



Test and inspection: API 598,API 6D

Materials		
NO.	Part name	Material
13	Handle	Carbon steel
12	Lock nut	Carbon steel
11	Gland nut	Carbon steel
10	Thrust washer	PTFE/NYLON
09	Gland bush	Stainless steel
08	Stem	Stainless steel

NO.	Part name	WCB	LCB
07	Stud and nut	A193 Gr B7/A194 Gr 2H	A320 Gr L7/A194 Gr 4
06	Packing	Graphite/ptfe	Graphite/ptfe
05	Ball seat	PTFE/RPTFE/NYLON	SPTFE/RPTFE/NYLON
04	Gasket	Grafoil/spiral wound	Grafoil/spiral wound
03	Ball	A182 F6a	A182 F304
02	R-body	A216 Gr WCB	A352 Gr LCB
01	L-body	A216 Gr WCB	A352 Gr LCB

NO.	Part name	CF8	CF8M
07	Stud and nut	A193 Gr B16/A194 Gr 4/7	A193 Gr B7/A194 Gr 2H
06	Packing	Graphite/ptfe	Graphite/ptfe
05	Ball seat	PTFE/RPTFE/NYLON	PTFE/RPTFE/NYLON
04	Gasket	Grafoil/spiral wound	Grafoil/spiral wound
03	Ball	A182 F304	A182 F316
02	R-body	A351 Gr CF8	A351 Gr CF8M
01	L-body	A351 Gr CF8	A351 Gr CF8M



**CLASS 150~300 FLOATING BALL VALVE**

Dimensions											
Class 150											
Size	inch	1/2	3/4	1	1-1/2	2	2-1/2	3	4	6	8
L-RF	mm	108	117	127	165	178	191	203	229	394	457
L1-BW	mm	140	152	165	190	216	241	283	305	457	521
L2-RTJ	mm	-	-	140	178	191	203	216	241	406	470
B	mm	13	19	25	38	51	64	76	102	152	203
H	mm	65	70	80	95	110	135	145	170	235	275
K	mm	150	155	160	180	200	225	325	350	500	600
WT.	Kg	3	4	5	8	12	21	26	43	80	155

Dimensions											
Class 300											
Size	inch	1/2	3/4	1	1-1/2	2	2-1/2	3	4	6	8
L-RF	mm	140	152	165	190	216	241	283	305	403	502
L1-BW	mm	140	152	165	191	216	241	283	305	457	521
L2-RTJ	mm	151	165	178	203	232	257	298	321	419	518
B	mm	13	19	25	38	51	64	76	102	152	203
H	mm	70	85	90	105	120	145	160	195	250	290
K	mm	155	160	180	200	225	325	350	500	600	700
WT.	Kg	3	5	7	13	15	28	32	55	105	170